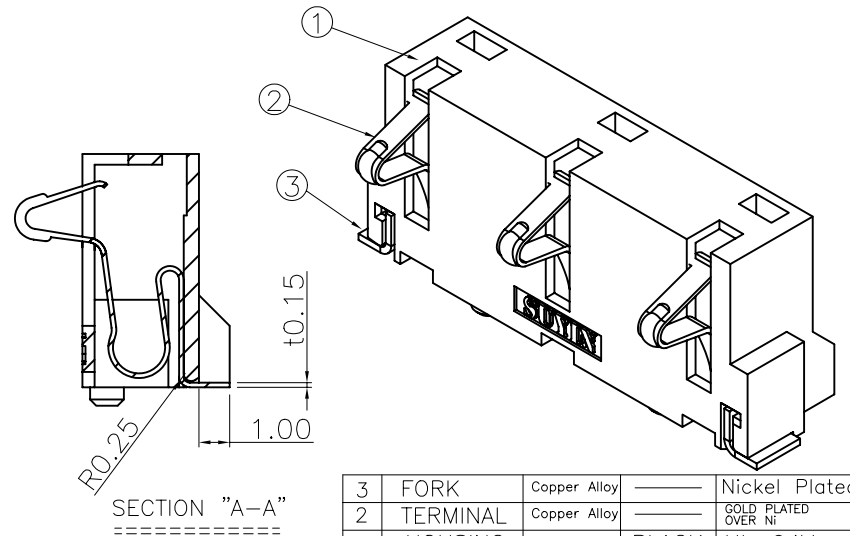
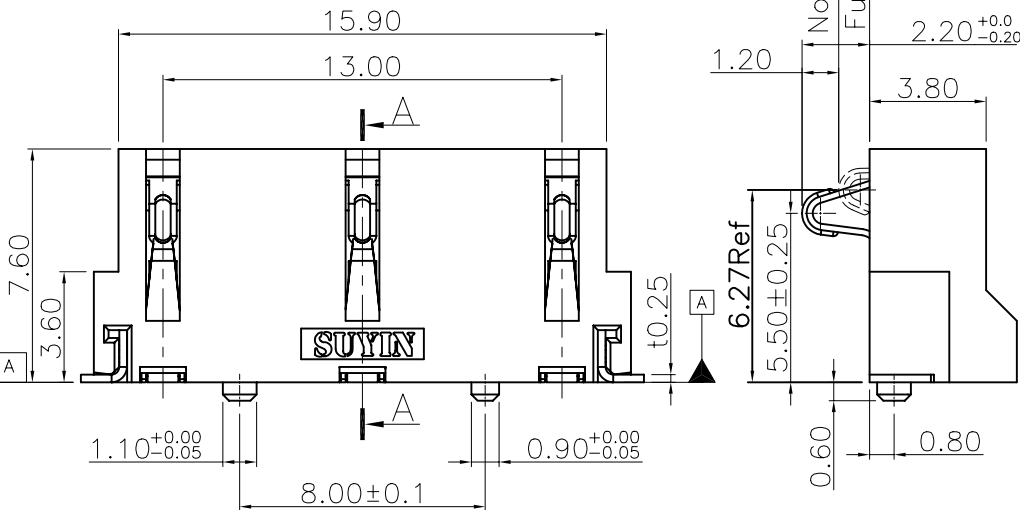
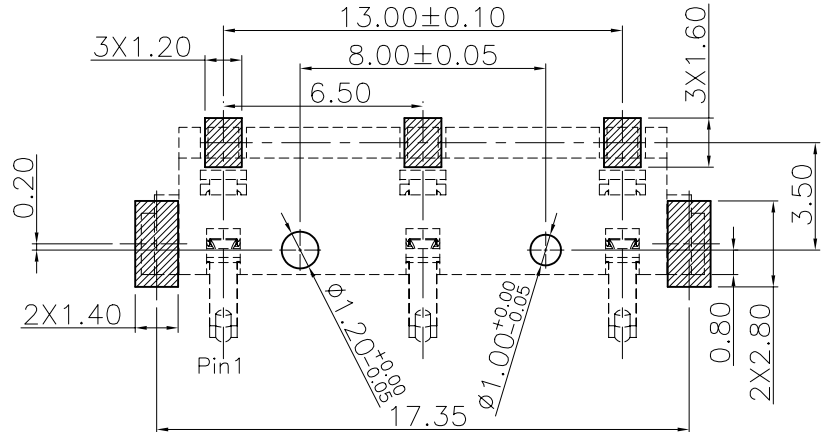
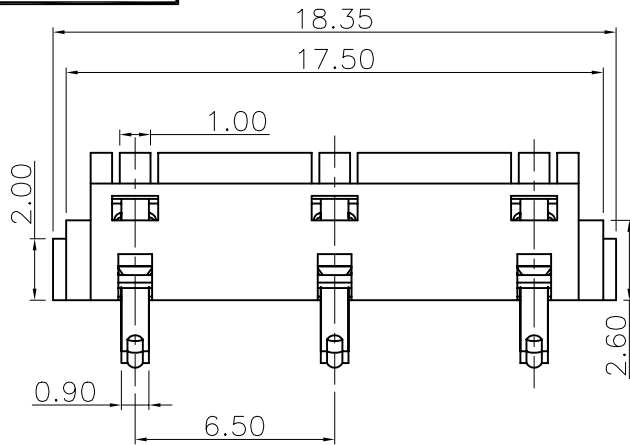




RoHS Compliant
2002/95/EC

RECOMMENDED P.C.B LAYOUT (Component Side)
P.C.B Thickness=0.8mm(Tolerance=±0.05)



NO.	DESCRIPTION	MATERIAL	COLOR	REMARK
3	FORK	Copper Alloy		Nickel Plated
2	TERMINAL	Copper Alloy		GOLD PLATED OVER Ni
1	HOUSING	High Temp. Plastic	BLACK	UL-94V

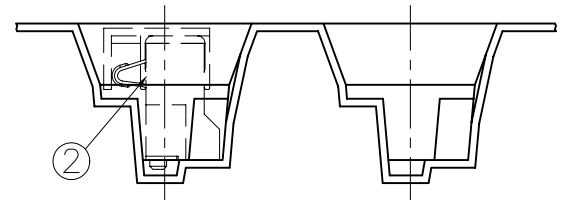
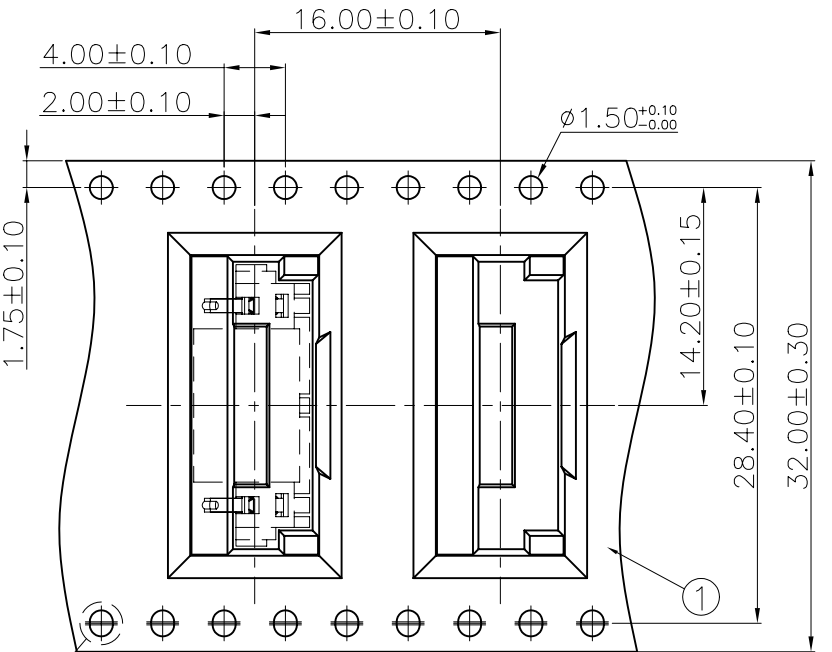
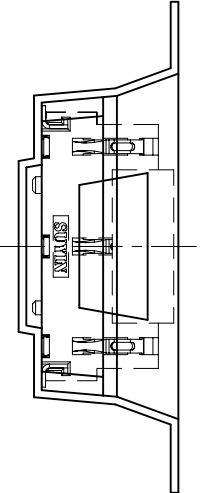
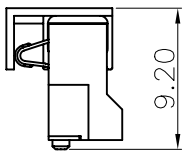
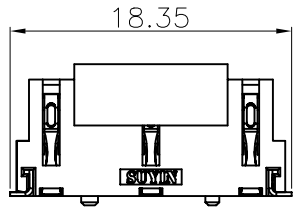
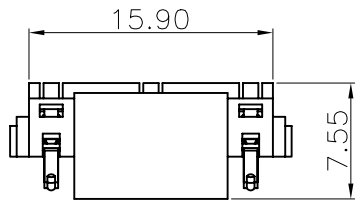
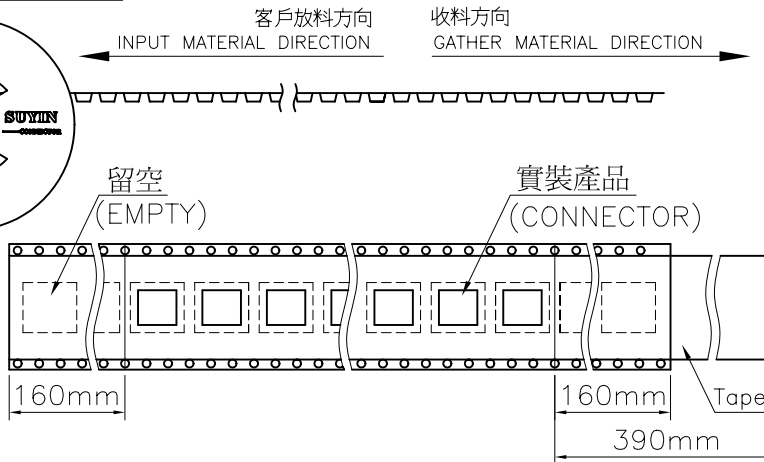
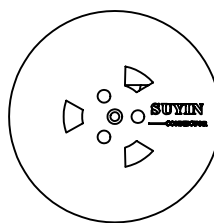
SUYIN
CONNECTOR

CUSTOMER COPY	TITLE: 5.60 Pitch Spring Battery Conn.		
PART NO.	060022MB003G110ZR		
PRODUCT SPEC.	060022MB		
FILE NAME.	C	060022MB003G110ZR-C	
SCALE	4:1	UNIT:mm	A4
			SHEET: 1 of 2

ECN(DCN) NO.	REV	DATE	DESCRIPTION	CHANGE	APPRO.	Angle	±2°	DRAW	蔣武向	06'/12/26
						30 ~	±0.50	DESIGN	蔣武向	06'/12/26
						10 ~ 30	±0.30	CHECK	鄧高云	06'/12/26
						~ 10	±0.15	APPRO.	簡士鈞	06'/12/26
						GENERAL TOLERANCE UNLESS OTHERWISE NOTED				



RoHS Compliant
2002/95/EC



SCALE 2:1

[1] Package. Information

Part Number	Q'ty per reel
060022MB003G110ZR	420 pcs

[2] NOTES: 1.Tolerance: $\pm 0.25\text{mm}$ unless otherwise specified.
2.component loaded by 13" reel.

3				
2	PRODUCT			060022MB003G110ZR
1	REEL	PS	BLACK	IPR0559-003-10
NO.	DESCRIPTION	MATERIAL	COLOR	REMARK

SUYIN
CONNECTOR

CUSTOMER COPY	TITLE: 5.60 Pitch Spring Battery Conn.			
PART NO.	060022MB003G110ZR			
PRODUCT SPEC.	060022MB			
FILE NAME.	C	060022MB003G110ZR-C		
SCALE	2:1	UNIT:mm	A4	SHEET: 2 of 2

					Angle	$\pm 2^\circ$	DRAW	李虎城	06'/12/26
					30 ~	± 0.50	DESIGN	李虎城	06'/12/26
					10 ~ 30	± 0.30	CHECK	馬克鋒	06'/12/26
					~ 10	± 0.15	APPRO.	簡士鈞	06'/12/26
ECN(DCN) NO.	REV	DATE	DESCRIPTION	CHANGE	APPRO.	GENERAL TOLERANCE UNLESS OTHERWISE NOTED	APPRO.	簡士鈞	06'/12/26